

## PCS 200 kW



200kW ~ 8 MW

- Easy to connect, high efficiency 200 kW inverter with possible parallel connection up to 8 MW



C5M class

- Highest C5M corrosion protection class, suitable for inshore and offshore salty environment



-40°C to 60°C

- Suitable for outdoor application for most of the countries



IP 66

- Full water and dust protection for LFP battery section



Maximum efficiency	99%
European efficiency	98,5%
Isolation mode	transformerless
Protection degree	IP 66
Operating temperature range	-40°C to 60°C
Relative humidity	0-100%, non-condensing
Cooling system	Smart air cooling
Relative humidity	4000m (>3000m derating)
Communication interfaces	RS485/CAN/Ethernet
Dimensions (W*H*D)	810*845*275mm
Weight	98 kg



[www.scavolt.com](http://www.scavolt.com)



[contact@scavolt.com](mailto:contact@scavolt.com)



Scavolt P.S.A  
TRITUM Business Park  
Al. Zwycięstwa 241 / 13  
81-521 Gdynia, Poland  
VAT/NIP: PL5842830934

## Input DC

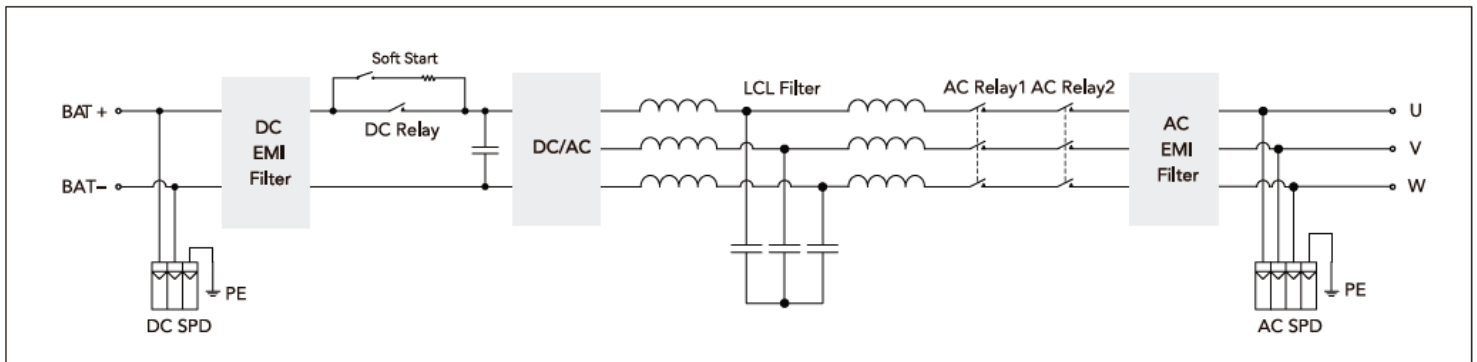
Max. DC Voltage	1500 Vdc
Startup voltage	1000 Vdc
Max. input current	224.5 A
Full-load voltage range	1000~1500 Vdc

## Output AC (on-grid)

AC output power	220kVA@35 °C , 200kVA@45 °C
Rated output voltage	690Vac, 3W+PE
AC voltage range	607~759 Vac (Adjustable)
Rated frequency	50/60 Hz
Rated (Max.) output current	167.4 A (184.1 A)
Power factor	-1~+1

## Output AC (off-grid)

Rated output voltage	690Vac, 3W+PE
AC voltage range	607~759 Vac (Adjustable)
Rated frequency	50/60 Hz
AC voltage distortion	<1.5% (100% linear load)
DC voltage component	<0.5% Un (Linear balance load)
Unbalanced load capacity	



**Certification :** GB/T 34120-2017, GB/T 34133-2017, IEC 62477-1, IEC 61000-6-2, IEC 61000-6-4, EN 50549-1, EN 50549-2



[www.scavolt.com](http://www.scavolt.com)



[contact@scavolt.com](mailto:contact@scavolt.com)



Scavolt P.S.A  
 TRITUM Business Park  
 Al. Zwycięstwa 241 / 13  
 81-521 Gdynia, Poland  
 VAT/NIP: PL5842830934